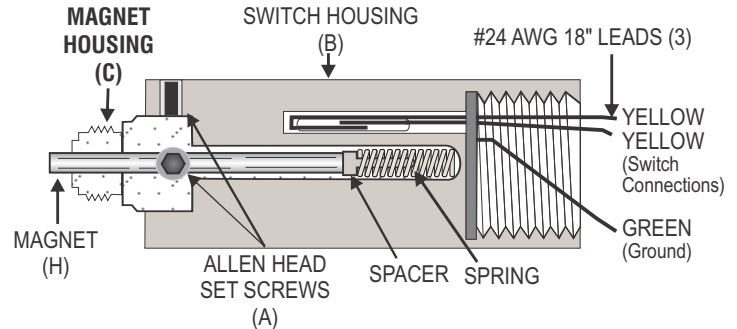
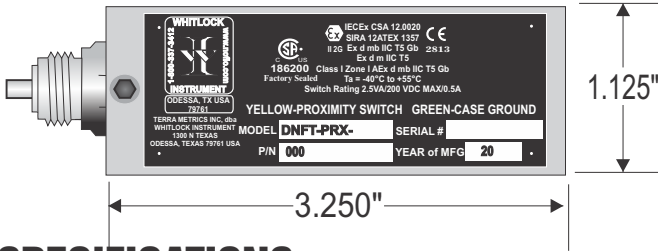




PROXIMITY SWITCH

DNFT-PRX

Name: DNFT PRX Literature
 Date of Revision: 29JUN2020
 Revision: 1.5
 Created By: AR / Approved by: RG
 File: PRX_LIT
 Rev Change: Updated N.B.



SPECIFICATIONS

Part Number.....	000169
	000170
	000172
Material.....	Stainless Steel, Aluminum
Temperature Range.....	-40°C to +55°C
Switch Rating.....	2.5 VA / 200 VDC ½ AMP
Epoxy Encapsulated.....	UL LISTED EL-CAST VFR 641

RATINGS

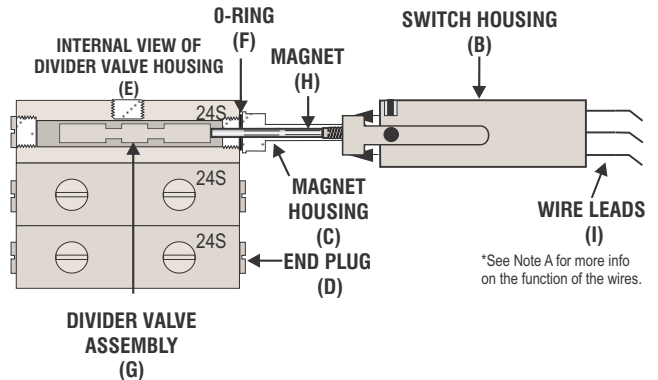
IECEx CSA 12.0020
 SIRA 12ATEX 1357
 II 2G Ex d mb IIC T5 Gb 2B13
 Ex d m IIC T5
186200 Class I Zone I AEx d mb IIC T5 Gb
 Factory Sealed Ta = -40°C to +55°C
 Switch Rating 2.5VA/200 VDC MAX/0.5A

FOR
TRABON, LINCOLN
MANZEL & DROPSA
DIVIDER BLOCK LUBRICATION SYSTEMS

The DNFT PRX was designed and rated for use in Class I Zone I environments, to be used outdoors in wet or dry locations, in altitudes under 2000 meters, with a Pollution Degree of 4, with no external power required.

INSTALLATION AND ADJUSTMENT PROCEDURE

- Loosen all (2) Allen head set screws (A) on switch housing (B) and remove magnet housing (C). Do not remove magnet, spring, and spacer from magnet housing.
- Remove end plug (D) from divider valve where proximity switch will be installed. Proximity switch can be installed on any available divider valve section.
- Screw magnet housing (C) into end of divider valve. Torque to 15 foot pounds max. Be sure O-Ring (F) is in place on magnet housing (C) if required.
- Slide switch housing (B) all the way onto magnet housing (C). Connect ohmmeter to yellow switch leads. Do not tighten set screws at this time.
- To properly adjust switch housing (B), divider valve assembly (G) must be cycling so magnet (H) is moving back and forth. This can be achieved with lubrication system functioning or by manually pumping clean oil through divider valve assembly with a hand pump.
- If a cycle is not detected, adjustment is made by sliding switch housing (B) out in 1/16" increments. Continuity meter connected to yellow wires will indicate a switch closure. Adjust 1/16" out until correct adjustment is confirmed. Torque set screws to 25 inch pounds max.
- Use 10 to 12 inches of flexible conduit on the switch housing for ease of adjustment or maintenance. All conduit and connections should be appropriate for area classification. CAUTION: Conduit and fittings must be supported to avoid bending magnet assembly.



ORDERING INFORMATION

MODEL	DESCRIPTION	PART NUMBER
DNFT-PRX-D	DROPSA	000169
DNFT-PRX-L	LINCOLN - O-RING STYLE	000170
DNFT-PRX-TO	TRABON - O-RING STYLE "1995" AND LATER	000172

Notice: When installing more than one DNFT, each DNFT must be wired to a separate alarm circuit of the control panel, annunciator, or PLC to simplify troubleshooting the lubrication system and DNFT.

Note: The DNFT shall be installed in such a way that there is a low risk of mechanical danger.

Warning: **DO NOT OPEN** when an explosive gas atmosphere is present.

***NOTE A:**

Output PRX Wires: The yellow wires are used to connect the DNFT to a PLC, annunciator, or other control monitoring device. The alarm wires will open and close with each cycle.

Device Operation Wires: The yellow PRX wires will open and close with each cycle, these are used for a PLC input or for an external totalizer or counter.

Green Ground Wire: The green ground wire is used to ground the DNFT from stray voltages or currents floating around the natural gas compressor package.



Manufactured and Assembled in the U.S.A. By Terra Metrics, Inc dba Whitlock Instrument
 1300 N Texas - Odessa, Texas 79761

***ALL TRADEMARK NAMES ARE THE PROPERTY OF THEIR RESPECTIVE COMPANIES AND ARE NOT ASSOCIATED WITH TERRA METRICS dba WHITLOCK INSTRUMENT.**